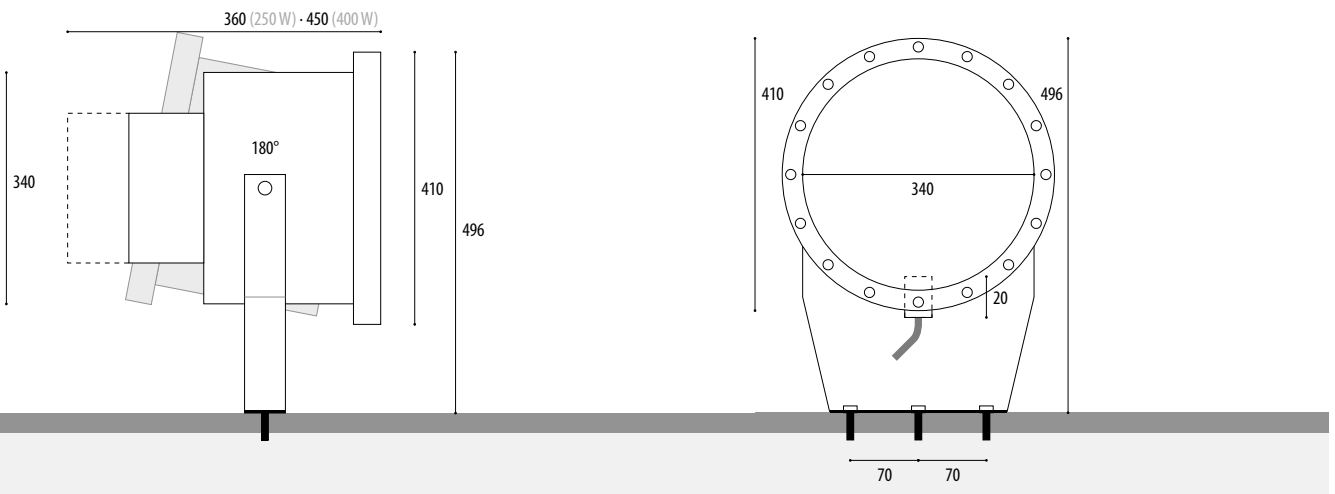
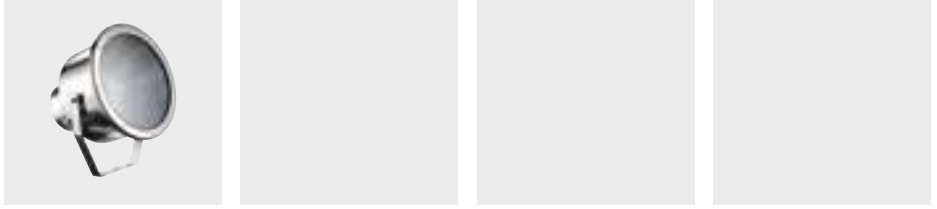




SURFACE SPOTLIGHT 4.4110

UNDERWATER | EXTERIOR

IP68



Article number	Lamps	Wattage	Current/Voltage	Socket	Radiation angle	Cable	[V]
VERSIONS: UNDER- AND OVERWATER OPERATION (ACCORDING TO PRIOR AGREEMENT)							
FLOOD							
4.4110.00.25	HIE	250W	230V	E40	80°	Si, 3x2,5 qmm	L76
4.4110.00.26	HSE-MF	250W	230V	E40	80°	Si, 3x2,5 qmm	R75
SPOT							
4.4110.00.29	HIT-DE	250W	230V	Fc2	16°	Si, 3x2,5 qmm	J20
4.4110.00.30	HST-DE	250W	230V	Fc2	20°	Si, 3x2,5 qmm	Q20
VERSIONS: ONLY UNDERWATER OPERATION							
FLOOD							
4.4110.00.40	HSE-MF	400W	230V	E40	80°	Si, 3x2,5 qmm	R76
4.4110.00.41	HIE	400W	230V	E40	80°	Si, 3x2,5 qmm	L77
SPOT							
4.4110.00.43	HIT-DE	400W	230V	Fc2	35°	Si, 3x2,5 qmm	J21
4.4110.00.44	HST-DE	400W	230V	Fc2	35°	Si, 3x2,5 qmm	Q21



4.4110 | SURFACE-SPOTLIGHT

FOR ILLUMINATION OF WIDE AND HIGH FOUNTAINS.

IP68	STAINLESS STEEL V4A 1.4571 316Ti	230 V	max 3m	↓	180°	CABLE EXCL.	EXCL.	CE
------	--	-------	--------	---	------	-------------	-------	----



- Protection class IP68 – up to 3m water depth
- Entirely made of stainless steel 316Ti 1.4571
- Mounting bracket adjustable through 180°
- ...
- Metal halogen vapour lamps
- with a symmetrical stainless steel reflector
- ...
- Cable gland PG16/21, marine grade 316Ti stainless steel
- Temperature-resistant silicon seal
- Toughened safety glass
- Ballast and Ignitor fitted depending on type, without light source

Power supplies Technical details see from page 234.

Integrated
Integrated

Integrated
Integrated

Integrated
Integrated

Integrated
Integrated

OPTIONS

- Coloured HIT light sources available
- POW-LED on request

ADDITIONAL PARTS

- double cable gland
made of V4A-stainless steel
4.0004.40.16
- anti-glare louver
4.0008.01.00
- glass disc, frosted
for softer light distribution
(light loss approx. -15%)
4.0085.01.00