



RECESSED SPOTLIGHT 4.0304

EXTERIOR

IP67



- › Spotlight for very variable use
- › Up to 5940 lumen light intensity
- › Load-bearing capacity of up to 5 tons





4.0304 | RECESSED SPOTLIGHT

FOR ILLUMINATING BUILDING FACADES, GREEN AREAS, PARKS AND OUTDOOR FACILITIES.

IP67	STAINLESS STEEL V4A 1.4571 316Ti	POW-LED INCL.	3.000 K 4.500 K 6.000 K	RGB	CONSTANT CURRENT CONSTANT VOLTAGE	EXCL.	CABLE EXCL.	5t	650kg	↑	↓	↔	↔	CE
------	--	---------------	-------------------------------	-----	--------------------------------------	-------	-------------	----	-------	---	---	---	---	----




- Protection system IP67
- Entirely made of stainless steel 316Ti 1.4571
- with flush-mounted cover, round or square cover or lock ring
- ...
- operating mode: constant current
 - POW-LED cold white, warm white, neutral white, CC
 - POW-LED RGB
- operating mode: constant voltage
 - POW-LED cold white, warm white, neutral white, CV
 - POW-LED-Platine temperatur control (NTC)
- QT32, HIT-CRI
- Reflector made of high-purity aluminium, symmetrical/asymmetrical
- ...
- Temperature-resistant silicon seal
- Toughened safety glass (ESG) – withstands loads of up to 5000 kg, lock ring up to 650 kg
- Cable gland PG 16/21, nickel-plated brass
- fitted ballast device at HIT-CRI
- ballast device not included at POW-LED (order separately)
- 230 V mains voltage at QT32
- Supplied without light source and without cable
- POW-LED with light source and cable

+ ADDITIONAL PARTS



Installation housing 316Ti stainless steel
ø 235 x 230 mm
for flush, round and square cover
4.0304.10.95




anti-glare louver
black, for symm. and asymm. Reflector
4.0003.01.00




Installation housing 316Ti stainless steel
ø 235 x 230 mm
for lock ring
4.0304.00.95



TIPP rippled glass
with antiskid coating
for flush, round and square cover
4.0231.02.00




rippled glass, frosted
for softer light distribution
(light loss approx. -15%)
50.4.00019.194



glass disc, frosted
for softer light distribution
(light loss approx. -15%)
for lock ring
4.0230.01.00

★ PRODUCT LINE



4.0365
Surface spotlights
> Page 140



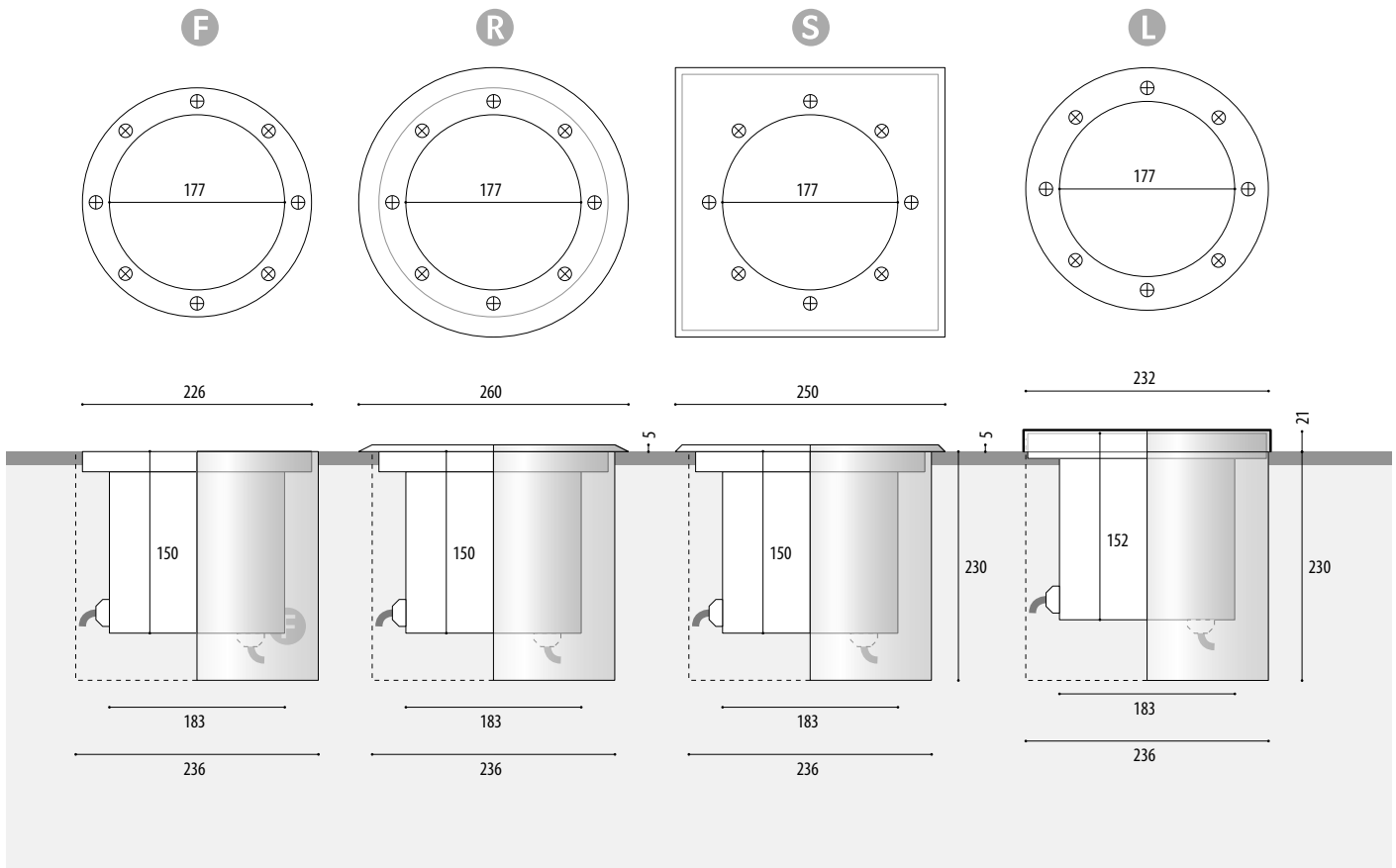
4.0098
Recessed spotlights (exterior)
> Page 186



RECESSED SPOTLIGHT 4.0304

EXTERIOR

IP67



F	R	S	L	Lamps	Lumen	Wattage	Current/Voltage	Socket	Temperature	Radation angle	Cable	[V]
---	---	---	---	-------	-------	---------	-----------------	--------	-------------	----------------	-------	-----

SYMMETRIC REFLECTOR, CLEAR TEMPERED GLASS LENS												
4.0304.10.00	4.0308.20.00	4.0308.40.00	4.0303.00.00	QT32	5940	150W	230V	E27	150°C	24°	Si, 3x2,5 qmm	F33
4.0304.10.35	4.0308.20.35	4.0308.40.35	4.0303.00.35	HIT-CRI	4860	35W	230V	G12	<75°C	19°	Si, 3x2,5 qmm	I31
4.0304.10.70	4.0308.20.70	4.0308.40.70	4.0303.00.70	HIT-CRI	5580	70W	230V	G12	110°C	19°	Si, 3x2,5 qmm	I33

Asymmetric reflector, frosted glass												
4.0304.11.00	4.0308.21.00	4.0308.41.00	4.0303.01.00	QT32	5940	150W	230V	E27	150°C	30°	Si, 3x2,5 qmm	F43
4.0304.11.35	4.0308.21.35	4.0308.41.35	4.0303.01.35	HIT-CRI	4860	35W	230V	G12	<75°C	40°	Si, 3x2,5 qmm	I41
4.0304.11.70	4.0308.21.70	4.0308.41.70	4.0303.01.70	HIT-CRI	5580	70W	230V	G12	110°C	40°	Si, 3x2,5 qmm	I43

POW-LED 350 MA, CLEAR TEMPERED GLASS LENS – 350 MA												
4.0304.15.01	4.0308.25.01	4.0308.45.01	4.0303.05.01	36 POW-LED 6.000K	5940 lm	total 43 W	CC 350 mA	Klemme	<55°C	30° medium	Si, 8x0,5 qmm	V73
4.0304.15.02	4.0308.25.02	4.0308.45.02	4.0303.05.02	36 POW-LED 3.000K	4860 lm	total 43 W	CC 350 mA	Klemme	<55°C	30° medium	Si, 8x0,5 qmm	
4.0304.15.03	4.0308.25.03	4.0308.45.03	4.0303.05.03	36 POW-LED 4.500K	5580 lm	total 43 W	CC 350 mA	Klemme	<55°C	30° medium	Si, 8x0,5 qmm	
4.0304.15.09	4.0308.25.09	4.0308.45.09	4.0303.05.09	36 POW-LED RGB		all on 43 W	CC 350 mA	Klemme	<55°C	30° medium	Si, 8x0,5 qmm	

POW-LED 350 MA, CLEAR TEMPERED GLASS LENS – 12 V-DC												
4.0304.15.61	4.0308.25.61	4.0308.45.61	4.0303.05.61	36 POW-LED 6.000K	5940 lm	total 43 W	CV 12 V-DC	Klemme	<55°	30° medium	UW, 2x2,5 qmm	
4.0304.15.62	4.0308.25.62	4.0308.45.62	4.0303.05.62	36 POW-LED 3.000K	4860 lm	total 43 W	CV 12 V-DC	Klemme	<55°	30° medium	UW, 2x2,5 qmm	
4.0304.15.63	4.0308.25.63	4.0308.45.63	4.0303.05.63	36 POW-LED 4.500K	5580 lm	total 43 W	CV 12 V-DC	Klemme	<55°	30° medium	UW, 2x2,5 qmm	



RECESSED SPOTLIGHT
4.0304



IP67

EXTERIOR

< Project

Iglootel, Arvidsjaur, Sweden, www.iglootel.com

Planner: www.lichtteam.de

NOTE



In public areas we recommend to use a non-slip glass. See accessories.



In case of use of an housing, cable gland must be mounted on the ground. (Please state!)

OPTIONS

Possible beam angle POW-LED



IP68

Protection system IP68 (fully ready for operation with light source and cables)



Special brass covers



Cable gland on floor possible



The installation housing can be supplied as an option



Please order the double cable gland for ring assembly separately



12 V-DC dimmable with dimming module 5.0690.03.15. Note: Other cable to the spotlight is required. Requires further agreements.

Power supplies Technical details see from page 234.

Integrated

Integrated

Integrated

Integrated

Integrated

Integrated

5.0635.00.36

5.0635.00.36

Constant Current power supply, max 1 spotlights

5.0635.00.36

5.0635.09.50

RGB-Controller, max 1 spotlights

5.0600.65.60

5.0600.65.60

5.0600.65.60

Constant Voltage power supply, max 1 spotlights

5.0600.65.15

5.0600.65.15

5.0600.65.15

Constant Voltage power supply, max 3 spotlights