

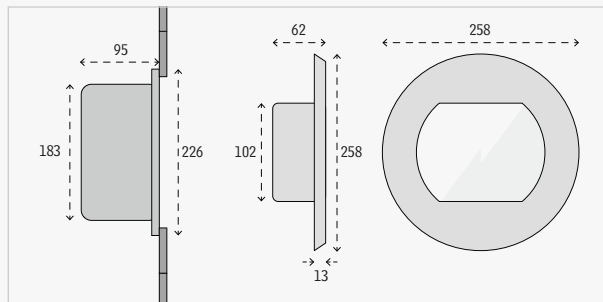
Swimming pool Light

4.0271

- Protection class IP68 – up to 3m water depth
- Entirely made of stainless steel 316Ti 1.4571
- Round attachment cover, made of stainless steel 316Ti, height 13 mm
- For all standard pool types
- ...
- QT12 or QT16 light sources
- POW-LED white 12 V-DC
- POW-LED capriblue 12 V-DC
- POW-LED RGB 12 V-DC
- POW-LED white 24 V-DC
- POW-LED RGB 24 V-DC
- Optimization of beam angle character
- POW-LED-Platine temperature control (NTC)
- Beam angle: 80° symmetric/horizontal and 45° asymmetric/vertical (halogen)
- ...
- Light source can be changed without draining the water (halogen)
- Type 4.0272 with frosted glass for soft light distribution (light losses approx. 15 %)
- Supplied with light source and special underwater cable already connected



IP68	STAINLESS STEEL V4A 1.4571 316Ti	POW-LED INCL.	3.000 K 4.500 K 6.000 K RGB	CONSTANT CURRENT KONSTANT STROM	QT12 QT16 12 V-AC 30 V-DC	CABLE INCL.	max 3m
←	↗	CE	III				



Additional parts

pressure flange for thin-walled pools or pools with fitted plastic foil 4.0274.00.25	gluing and pressure flange for adhesive/foil coating with pressure flange 4.0274.55.25	gluing flange for adhesive/foil coating 4.0274.55.55	mounting plate for replacement to Wibre, round, grade 316, ø 302 x 9 mm 9.8267.00.00
mounting plate for replacement to Wibre, square, grade 316, 290 x 290 x 11 mm 9.8167.00.00	built in pot of 316L stainless steel with 1,5m cable duct, cable entry from side 4.0274.00.00	built in pot of 316L stainless steel with 1,5m cable duct, cable entry from behind 4.0274.00.50	

Notes

- Monochrome POW-LED available in red, green, blue, amber and warm white
- An installation housing is required for a new installation. Please order separately.
- Must only be operated with a WIBRE power supply or controller
- Saline version (4.0273) and flush version (4.0275) available - www.wibre.de

Underwater environments only

Monochrome and dynamic illumination

#		Lumen	LED	Watt	Power	Beam	Cable	Connect → 208
4.0271.00.01	6000K cold white	2700 lm	18 POW-LED	total 50 W	CC 700 mA @24 V-DC	asym-metrical	UW, 2x2,5 qmm	5.0670.00.40 max 1
4.0271.00.09	RGB		24 POW-LED	all on 30 W	CC 350 mA @24 V-DC	asym-metrical	UW, 6x1,0 + 2x0,5 qmm	5.0635.09.24 max 1
4.0271.00.11	6000K cold white	4050 lm	27 POW-LED	total 85 W	CC 700 mA @12 V-DC	asym-metrical	UW, 6x1,0 + 2x0,5 qmm	5.0670.11.24 max 1
4.0271.00.12	3000K warm white	3510 lm						
4.0271.00.13	4500K neutral white	3780 lm						
4.0271.00.26	capri blue (9 x blue, 9 x green, 9 x white)							
4.0271.00.19	RGB			all on 85 W				5.0670.19.24 max 1
4.0271.03.10	3000K	2.200lm	QT12	100W	12V-AC	asym-metrical	UW, 2x2,5 qmm	5.0100.00.00 max 1
4.0271.03.17	3000K	5.100lm		175W				5.0311.00.00 max 1
4.0271.03.20	3000K	5.800lm		200W	30V-DC			5.0103.00.00 max 2
4.0271.03.40	3000K	11.600lm		400W				5.0410.00.01 max 1
								5.0420.00.01 max 2