



- › High-quality spotlight for variable applications
- › Up to 1980 lumen light intensity
- › Versions with integrated operating device (230 V)





4.0198 | RECESSED SPOTLIGHT

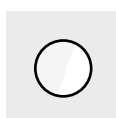
FOR ILLUMINATION FOR BUILDINGS, FACADES, OUTDOOR FACILITIES AND TREES.

IP67	STAINLESS STEEL V4A 1.4571 316Ti	POW-LED INCL.	3.000 K 4.500 K 6.000 K RGB	230 V	CONSTANT CURRENT KONSTANT STROM	CABLE INCL.	1.5t									
------	--	---------------	--------------------------------------	-------	------------------------------------	-------------	------	--	--	--	--	--	--	--	--	--

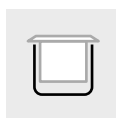


- Protection system IP67
- Entirely made of stainless steel 316Ti 1.4571
- Flush-mounted cover or round and square cover, height 5 mm
- ...
- POW-LED cold white, warm white, neutral white, 230 V
- POW-LED RGB CC
- HIT-TC-CE
- Rotation-symmetric light distribution
- 360° pivotable et +/-15° adjustable
- ...
- Temperature-resistant silicon seal
- Toughened safety glass (ESG) – withstands loads of up to 1500 kg
- Cable gland PG13,5, nickel-plated brass
- Supplied with light source and 3 m of underwater cable

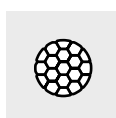
+ ADDITIONAL PARTS



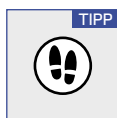
glass disc, frosted
for softer light distribution (light loss approx. -15%)
4.0066.01.00



Installation housing out of 316L
stainless steel
4.0198.10.95



anti-glare louver
black, for HIT-TC-CE
4.0003.01.01




TIPP Anti-skid coating
4.0066.02.00




double cable gland
PG13,5, brass
4.0004.00.13

★ PRODUCT LINE



4.0197
Recessed spotlights (exterior)
> Page 178



4.0192
Surface spotlights
> Page 132



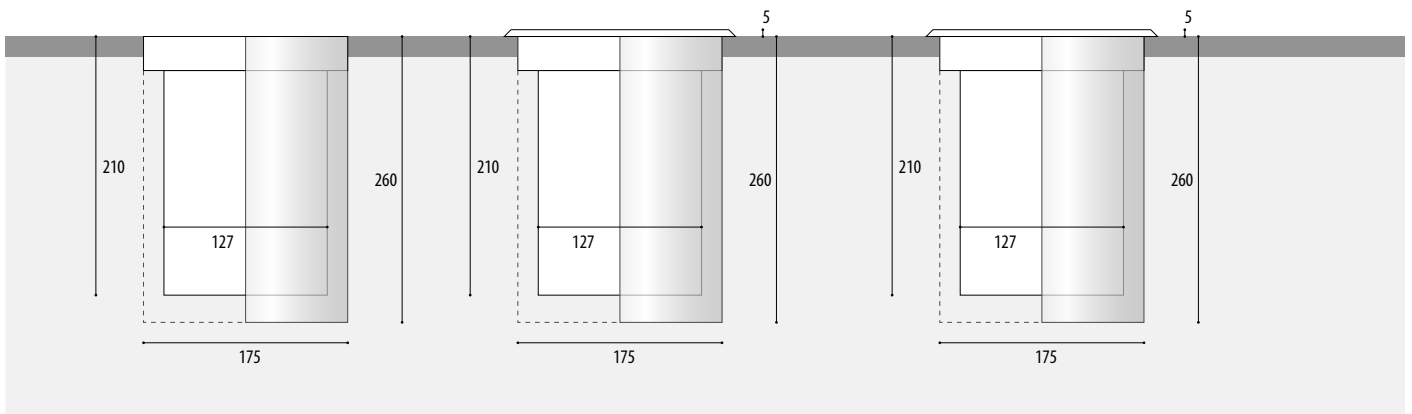
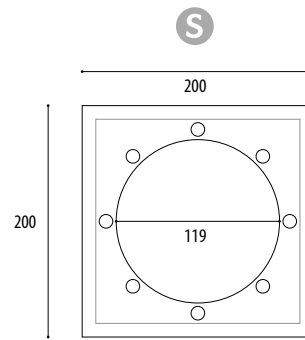
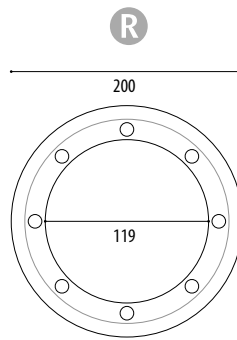
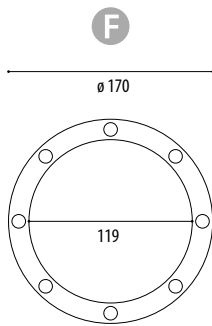
4.0195
Surface spotlights
> Page 136



RECESSED SPOTLIGHT 4.0198

EXTERIOR

IP67



F	R	S	Lamps	Lumen	Light colour	Wattage	Current/Voltage	Socket	Temperature	Radiation angle	Cable, installs	[V]
POW-LED												
4.0198.10.01	4.0198.20.01	4.0198.40.01	12 POW-LED	1980 lm	6000K cold white	total 15 W	230V	Klemme	<40°C	30° medium	UW, 3x1,5 qmm	V23
4.0198.10.02	4.0198.20.02	4.0198.40.02	12 POW-LED	1620 lm	3000K warm white	total 15 W	230V	Klemme	<40°C	30° medium	UW, 3x1,5 qmm	
4.0198.10.03	4.0198.20.03	4.0198.40.03	12 POW-LED	1860 lm	4500K neutral white	total 15 W	230V	Klemme	<40°C	30° medium	UW, 3x1,5 qmm	
4.0198.10.09	4.0198.20.09	4.0198.40.09	12 POW-LED		RGB	all on 19 W	CC 350 mA	Klemme	<40°C	30° medium	UW, 8x0,5 qmm	
HIT-TC-CE												
4.0198.12.20	4.0198.22.20	4.0198.42.20	HIT-TC-CE	1.500lm		20W	230V	G8,5	<55°C	7° superspot	UW, 3x1,5 qmm	M18
4.0198.12.35	4.0198.22.35	4.0198.42.35	HIT-TC-CE	3.300lm		35W	230V	G8,5	<75°C	7° superspot	UW, 3x1,5 qmm	M19
4.0198.13.20	4.0198.23.20	4.0198.43.20	HIT-TC-CE	1.800lm		20W	230V	G8,5	<55°C	15° spot	UW, 3x1,5 qmm	M30
4.0198.13.35	4.0198.23.35	4.0198.43.35	HIT-TC-CE	3.100lm		35W	230V	G8,5	<75°C	15° spot	UW, 3x1,5 qmm	M31
4.0198.16.20	4.0198.26.20	4.0198.46.20	HIT-TC-CE	1.500lm		20W	230V	G8,5	<55°C	35° medium	UW, 3x1,5 qmm	M20
4.0198.16.35	4.0198.26.35	4.0198.46.35	HIT-TC-CE	3.300lm		35W	230V	G8,5	<75°C	35° medium	UW, 3x1,5 qmm	M21
4.0198.17.20	4.0198.27.20	4.0198.47.20	HIT-TC-CE	1.500lm		20W	230V	G8,5	<55°C	55° flood	UW, 3x1,5 qmm	M32
4.0198.17.35	4.0198.27.35	4.0198.47.35	HIT-TC-CE	3.300lm		35W	230V	G8,5	<75°C	55° flood	UW, 3x1,5 qmm	M33



RECESSED SPOTLIGHT 4.0198



IP67

EXTERIOR

< Project
Tabarly Museum, Lorient, France

NOTE



In public areas we recommend to use a non-slip glass. See accessories.



POW-LED, series-connected



POW-LED white with integrated power supply



In case of use of an housing, cable gland must be mounted on the ground. (Please state!)

OPTIONS

Possible beam angle POW-LED



The installation housing can be supplied as an option (4.0198.10.95)



Protection system IP68 (fully ready for operation with light source and cables)



Matt glass lens for softer light distribution (light loss approx. -15%)

Power supplies Technical details see from page 234.

Integrated

Integrated

Integrated

5.0635.09.16

RGB-Controller, max 1 spotlights

5.0635.09.50

RGB-Controller, max 3 spotlights

Integrated

Integrated

Integrated

Integrated

Integrated

Integrated

Integrated

Integrated