



# RECESSED SPOTLIGHT 4.0197

EXTERIOR

IP67



- › High-quality spotlight for variable applications
- › Up to 1980 lumen light intensity
- › Surface temperature below 40°C (CoolContact)

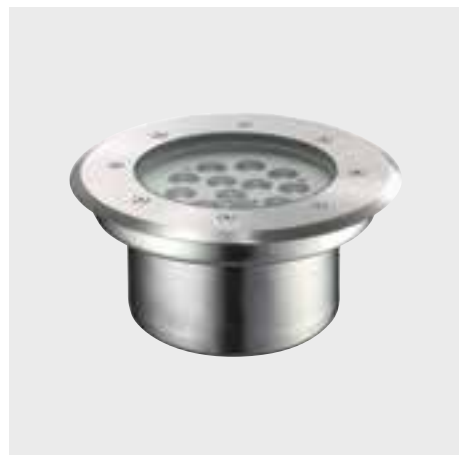
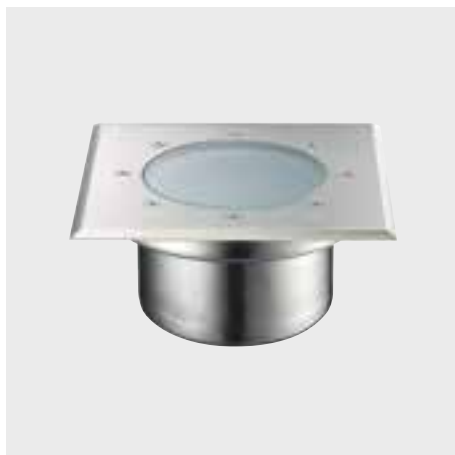




# 4.0197 | RECESSED SPOTLIGHT

FOR ILLUMINATING BUILDINGS, FACADES, OUTDOOR FACILITIES AND TREES.

IP67	STAINLESS STEEL V4A 1.4571 316Ti	POW-LED INCL.	3.000 K 4.500 K 6.000 K	RGB	CONSTANT CURRENT CONSTANT VOLTAGE	DALI 1-10 V OPTIONAL DIMM	CABLE INCL.	1.5t	↑	↓	↔	↔	C*	CE
------	--	---------------	-------------------------------	-----	--------------------------------------	------------------------------	-------------	------	---	---	---	---	----	----



- Protection system IP67
- Entirely made of stainless steel 316Ti 1.4571
- Flush-mounted cover, round and square cover, height 5 mm
- ...
- operating mode: constant current
  - POW-LED cold white, warm white, neutral white, CC
  - POW-LED RGB
- operating mode: constant voltage
  - POW-LED cold white, warm white, neutral white, CV
- Rotation-symmetric light distribution
- ...
- Temperature-resistant silicon seal
- Toughened safety glass (ESG) – withstands loads of up to 1500 kg
- Cable gland PG13,5, nickel-plated brass

## + ADDITIONAL PARTS

- |  |   |
|--|---|
|  | Installation housing out of 316L stainless steel<br><b>4.0197.10.95</b>                               |
|  | anti-glare louver<br>black, for HIF-TC-CE<br><b>4.0003.01.01</b>                                      |
|  | glass disc, frosted<br>for softer light distribution (light loss approx. -15%)<br><b>4.0066.01.00</b> |
|  | <b>TIPP</b> Anti-skid coating<br><b>4.0066.02.00</b>  |

## ★ PRODUCT LINE

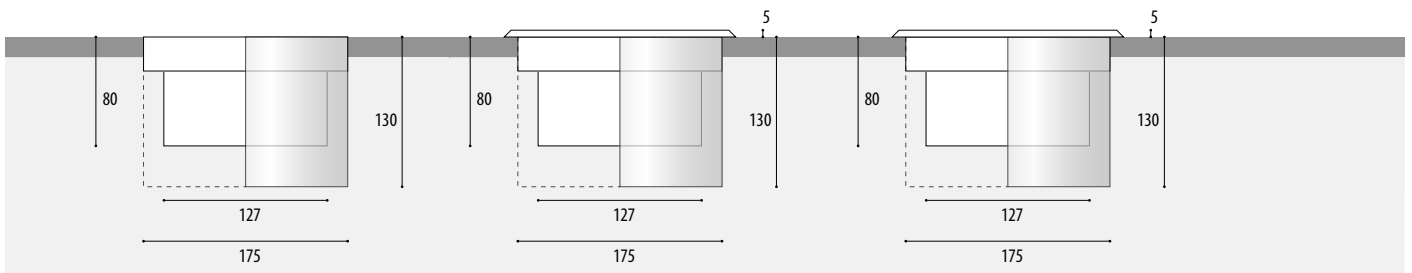
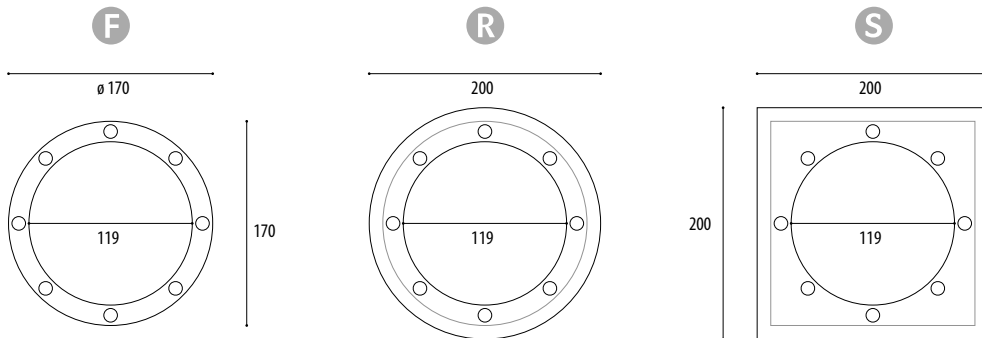
- |  |   |
|--|---|
|  | <b>4.0198</b><br>Recessed spotlights (exterior)<br>> Page 182 |
|  | <b>4.0192</b><br>Surface spotlights<br>> Page 132             |
|  | <b>4.0195</b><br>Surface spotlights<br>> Page 136             |



# RECESSED SPOTLIGHT 4.0197

EXTERIOR

IP67



F	R	S	Article number	Article number	Article number	Lamps	Lumen	Light colour	Wattage	Current	Temperature	Radation angle	Cable, installs	[V]
POW-LED 350 MA, CLEAR TEMPERED GLASS LENS														
			<b>4.0197.10.01</b>	<b>4.0197.20.01</b>	<b>4.0197.40.01</b>	12 POW-LED	1980 lm	6000K cold white	total 15 W	CC 350 mA	<40°C	30° medium	UW, 2x1,5 qmm	V23
			<b>4.0197.10.02</b>	<b>4.0197.20.02</b>	<b>4.0197.40.02</b>	12 POW-LED	1620 lm	3000K warm white	total 15 W	CC 350 mA	<40°C	30° medium	UW, 2x1,5 qmm	
			<b>4.0197.10.03</b>	<b>4.0197.20.03</b>	<b>4.0197.40.03</b>	12 POW-LED	1860 lm	4500K neutral white	total 15 W	CC 350 mA	<40°C	30° medium	UW, 2x1,5 qmm	
			<b>4.0197.10.09</b>	<b>4.0197.20.09</b>	<b>4.0197.40.09</b>	12 POW-LED		RGB	all on 19 W	CC 350 mA	<40°C	30° medium	UW, 8x0,5 qmm	

POW-LED 12 V-DC, CLEAR TEMPERED GLASS LENS														
			<b>4.0197.10.61</b>	<b>4.0197.20.61</b>	<b>4.0197.40.61</b>	12 POW-LED	1980 lm	6000K cold white	total 15 W	CV 12 V-DC	<40°	30° medium	UW, 2x1,5 qmm	
			<b>4.0197.10.62</b>	<b>4.0197.20.62</b>	<b>4.0197.40.62</b>	12 POW-LED	1620 lm	3000K warm white	total 15 W	CV 12 V-DC	<40°	30° medium	UW, 2x1,5 qmm	
			<b>4.0197.10.63</b>	<b>4.0197.20.63</b>	<b>4.0197.40.63</b>	12 POW-LED	1860 lm	4500K neutral white	total 15 W	CV 12 V-DC	<40°	30° medium	UW, 2x1,5 qmm	



IP67

EXTERIOR



< Project  
Roundabout, Leingarten, Germany

**NOTE**

In public areas we recommend to use a non-slip glass. See accessories.

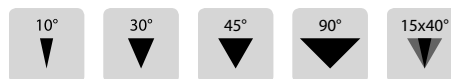
POW-LED, series-connected at 350 mA

POW-LED in parallel connection at 12 V-DC

In case of use of an housing, cable gland must be mounted on the ground. (Please state!)

**OPTIONS**

Possible beam angle POW-LED



The installation housing can be supplied as an option (4.0197.10.95)

**IP68** Protection system IP68 (fully ready for operation with light source and cables)

Matt glass lens for softer light distribution (light loss approx. -15%)

12 V-DC dimmable with dimming module 5.0690.03.15. Note: Other cable to the spotlight is required. Requires further agreements.

Power supplies Technical details see from page 234.

<b>5.0635.65.20</b>	Constant Current power supply, max 1 spotlights	<b>5.0635.00.36</b>	Constant Current power supply, max 3 spotlights
<b>5.0635.65.20</b>		<b>5.0635.00.36</b>	
<b>5.0635.65.20</b>		<b>5.0635.00.36</b>	
<b>5.0635.09.16</b>	RGB-Controller, max 1 spotlights	<b>5.0635.09.50</b>	RGB-Controller, max 3 spotlights
<b>5.0600.65.60</b>	Constant Voltage power supply, max 3 spotlights	<b>5.0600.65.15</b>	Constant Voltage power supply, max 9 spotlights
<b>5.0600.65.60</b>		<b>5.0600.65.15</b>	
<b>5.0600.65.60</b>		<b>5.0600.65.15</b>	