



- › High-quality spotlight for many application areas
- › POW-LED versions with 230 V
- › Can be swivelled up to 180° individually





4.0195 | SURFACE-MOUNTED SPOTLIGHT

FOR LIGHTING FOUNTAINS AND EXTERIOR AREAS.

IP68	STAINLESS STEEL V4A 1.4571 316Ti	POW-LED INCL.	3.000 K 4.500 K 6.000 K	230 V	CABLE INCL.					CE
------	--	---------------	-------------------------------	-------	-------------	--	--	--	--	----



- Protection system IP68 – for a water depth of up to 3 m
- Entirely made of stainless steel 316Ti
- Mounting foot adjustable through 180° or 90°
- ...
- POW-LED cold white, warm white, neutral white, 230 V
- HIT-TC-CE
- ...
- Cable gland PG13,5, marine grade 316Ti stainless steel
- Temperature-resistant silicon seal
- Toughened safety glass
- Supplied with light source and 3 m of underwater cable

+ ADDITIONAL PARTS

Anti-glare ring
Stainless steel 316Ti, ø 178 mm, length 203 mm
9.0192.00.70

TIPP anti-glare louver
black, for POW-LED
4.0003.02.01

TIPP anti-glare louver
black, for HIT-TC-CE
4.0003.01.01

glass disc, frosted
for softer light distribution (light loss approx. -15%)
4.0066.01.00

spike
Stainless steel, 395 mm, for mounting foot 90°
4.0305.50.00

★ PRODUCT LINE

4.0197
Recessed spotlights (exterior)
> Page 178

4.0198
Recessed spotlights (exterior)
> Page 182

4.0192
Surface spotlights
> Page 132



SURFACE SPOTLIGHT 4.0195

UNDERWATER | EXTERIOR

IP68



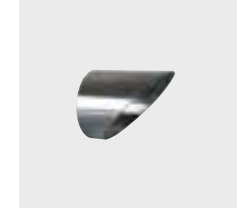
180° adjustable



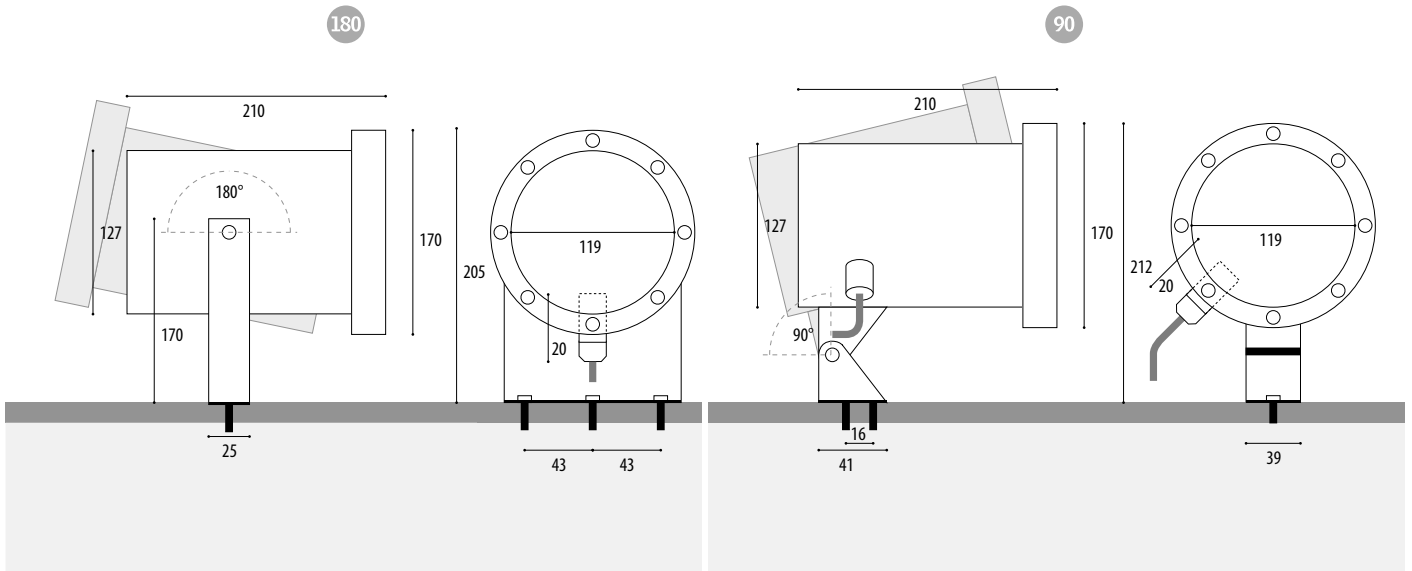
90° adjustable



90° adjustable



Anti-glare ring



90	180	Article number	Article number	Lamps	Lumen	Light colour	Wattage	Current/Voltage	Socket	Radiation angle	Cable	[V]
VERSIONS: UNDER- AND OVERWATER OPERATION (ACCORDING TO PRIOR AGREEMENT)												
POW-LED – 230 V												
		4.0195.90.01	4.0195.18.01	12 POW-LED	1980 lm	6000K cold white	total 15 W	230V	Klemme	30° medium	UW, 3x1,5 qmm	V23
		4.0195.90.02	4.0195.18.02	12 POW-LED	1620 lm	3000K warm white	total 15 W	230V	Klemme	30° medium	UW, 3x1,5 qmm	
		4.0195.90.03	4.0195.18.03	12 POW-LED	1860 lm	4500K neutral white	total 15 W	230V	Klemme	30° medium	UW, 3x1,5 qmm	
HIT												
		4.0195.90.20	4.0195.18.20	HIT-TC-CE	1.800lm		20W	230V	G8,5	15° spot	UW, 3x1,5 qmm	M30
		4.0195.90.21	4.0195.18.21	HIT-TC-CE	1.500lm		20W	230V	G8,5	35° medium	UW, 3x1,5 qmm	M20
		4.0195.90.22	4.0195.18.22	HIT-TC-CE	1.500lm		20W	230V	G8,5	7° superspot	UW, 3x1,5 qmm	M18
		4.0195.90.23	4.0195.18.23	HIT-TC-CE	1.500lm		20W	230V	G8,5	55° flood	UW, 3x1,5 qmm	M32
VERSIONS: ONLY UNDERWATER OPERATION												
HIT												
		4.0195.90.35	4.0195.18.35	HIT-TC-CE	3.100lm		35W	230V	G8,5	15° spot	UW, 3x1,5 qmm	M31
		4.0195.90.36	4.0195.18.36	HIT-TC-CE	3.300lm		35W	230V	G8,5	35° medium	UW, 3x1,5 qmm	M21
		4.0195.90.37	4.0195.18.37	HIT-TC-CE	3.300lm		35W	230V	G8,5	7° superspot	UW, 3x1,5 qmm	M19
		4.0195.90.38	4.0195.18.38	HIT-TC-CE	3.300lm		35W	230V	G8,5	55° flood	UW, 3x1,5 qmm	M33



IP68

UNDERWATER | EXTERIOR



< Project
Place Massena, Nizza, France

< Project
Rosengarten, Mannheim, Germany

Power supplies Technical details see from page 234.

Integrated

Integrated

Integrated

Integrated

Integrated

Integrated

Integrated

Integrated

Integrated

Integrated

Integrated

NOTE



SALINE version possible - Article number with additional „S“ at the end



Not be used at accessible areas.
(mains voltage 230V)

OPTIONS

Possible beam angle POW-LED

