



- › **Powerful spotlight for many application areas**
- › **Application of classic lamps**
- › **Can be swivelled up to 180° individually**





4.0095 | 4.0097 | SURFACE SPOTLIGHT

FOR ILLUMINATING LARGE FOUNTAINS, BRIDGES AND EXTERIOR AREAS.



- Protection class IP68 – up to 3m water depth
- Entirely made of stainless steel 316Ti 1.4571
- Mounting foot adjustable through 180° or 90°
- ...
- QT32
- HIT-CRI
- HIT-DE
- HST-DE
- with aluminium reflector
- Cable gland PG16/21, marine grade 316Ti stainless steel
- Temperature-resistant silicon seal
- Toughened safety glass
- Ballast and ignitor fitted depending on the version

+ ADDITIONAL PARTS

glass disc, frosted
 for softer light distribution (light loss approx. -15%)
4.0230.01.00

spike
 Stainless steel, 395 mm,
 for mounting foot 90°
4.0305.50.00

double cable gland
 made of V4A-stainless steel
4.0004.40.16

angular ring
 with 2 protection bars
4.0009.00.20

anti-glare louver
 black, for adjustable Reflector
4.0003.02.00

anti-glare louver
 black, for symm. and asymm. Reflector
4.0003.01.00

angular ring
 with 4 protection bars
4.0009.00.40

★ PRODUCT LINE

4.0098
 Recessed spotlights (exterior)
 > Page 186



SURFACE SPOTLIGHT 4.0095

UNDERWATER | EXTERIOR

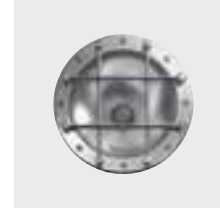
IP68



90° adjustable



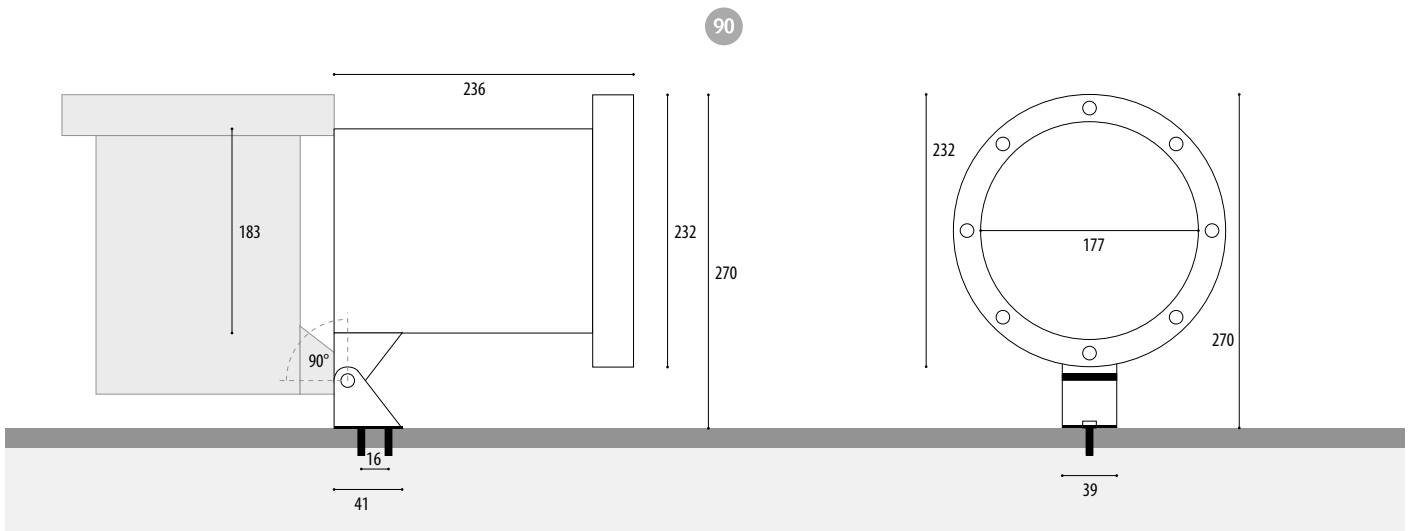
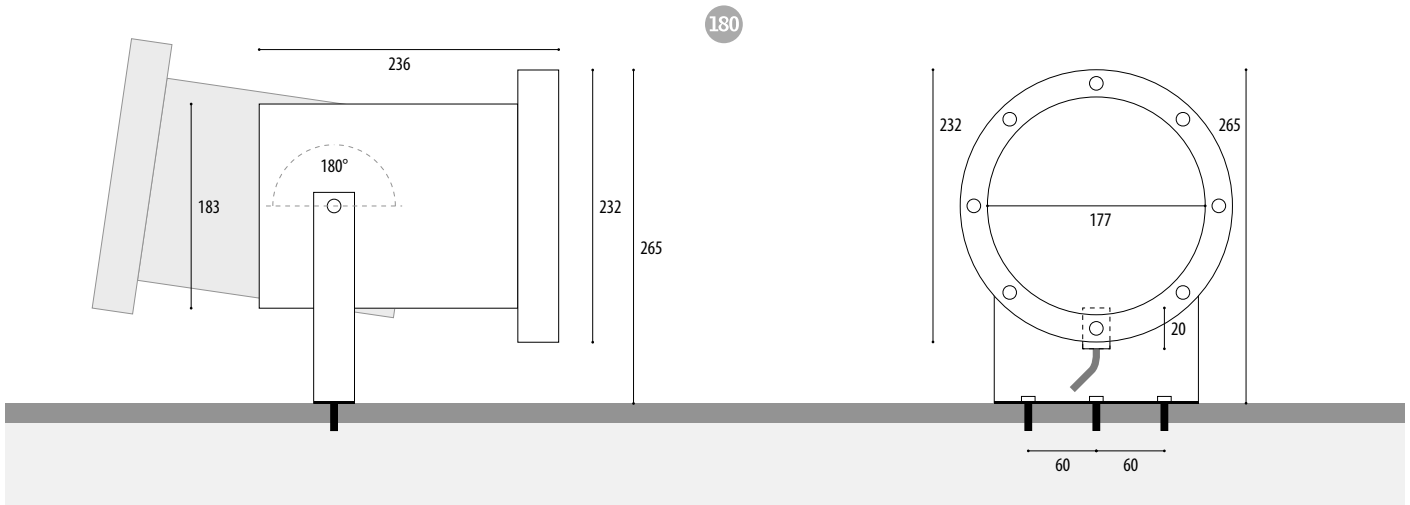
180° adjustable



angular ring with 4 protection bars



anti-glare louver



Article number	Article number	Lamps	Wattage	Voltage	Socket	Radation angle	Cable	[V]
VERSIONS: ONLY UNDERWATER OPERATION								
4.0095.00.00	4.0097.00.00	QT32	250W	230V	E27	24°	Si, 3x2,5 qmm	F35
4.0095.00.15	4.0097.00.15	HIT-CRI	150W	230V	G12	20°	Si, 3x2,5 qmm	I35
4.0095.00.16	4.0097.00.16	HIT-DE	150W	230V	RX7s-24	80°	Si, 3x2,5 qmm	J53
4.0095.00.17	4.0097.00.17	HST-DE	150W	230V	RX7s-24	80°	Si, 3x2,5 qmm	Q52
4.0095.00.70	4.0097.00.70	HIT-CRI	70W	230V	G12	19°	Si, 3x2,5 qmm	I33
4.0095.00.71	4.0097.00.71	HIT-DE	70W	230V	RX7s	80°	Si, 3x2,5 qmm	J51



IP68

UNDERWATER | EXTERIOR

< Project
Neues Schloss Stuttgart, Germany

NOTE



SALINE version possible - Article number with additional „S“ at the end

OPTIONS



Please order the double cable gland for ring assembly separately



Coloured light sources available



Other beam angles available



Special designs available on request

Power supplies Technical details see from page 234. anti-glare louver

Integrated	4.0003.01.00
Integrated	4.0003.01.00
Integrated	4.0003.02.00
Integrated	4.0003.02.00
Integrated	4.0003.01.00
Integrated	4.0003.02.00