



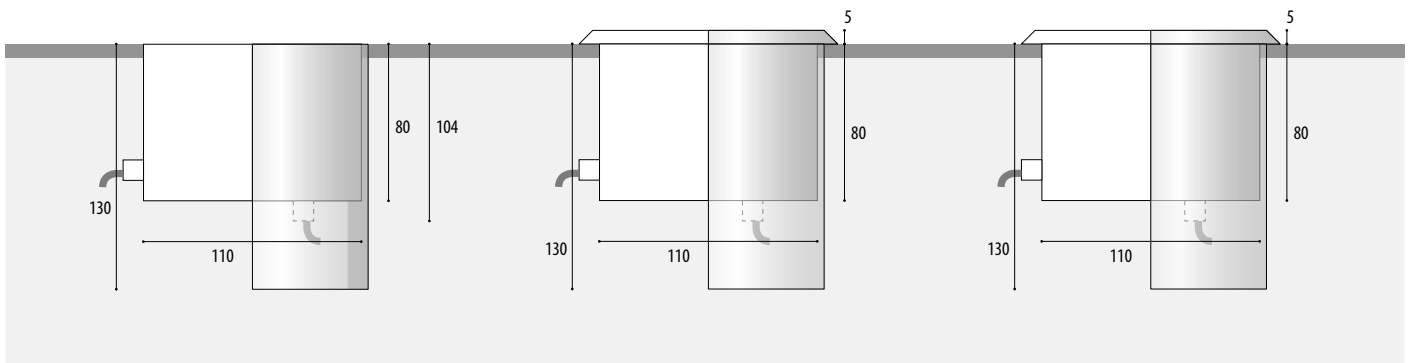
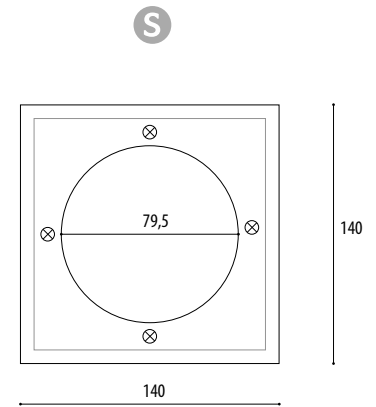
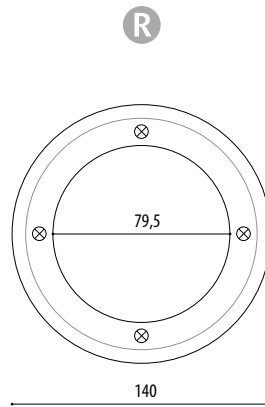
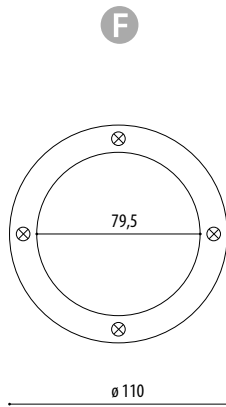
RECESSED SPOTLIGHT 4.0061KARDAN

EXTERIOR

IP67



Installation sleeve



F	R	S	Lamps	Lumen	Light colour	Wattage	Current	Socket	Temperature	Radiation angle	Cable, installs	[V]
POW-LED												
4.0061.14.01	4.0061.24.01	4.0061.44.01	3 POW-LED	495 lm	6000K cold white	total 5 W	CC 350 mA		<40°C	30° medium	UW, 2x1,5 qmm	V33
4.0061.14.02	4.0061.24.02	4.0061.44.02	3 POW-LED	405 lm	3000K warm white	total 5 W	CC 350 mA		<40°C	30° medium	UW, 2x1,5 qmm	
4.0061.14.03	4.0061.24.03	4.0061.44.03	3 POW-LED	465 lm	4500K neutral white	total 5 W	CC 350 mA		<40°C	30° medium	UW, 2x1,5 qmm	
4.0061.14.04	4.0061.24.04	4.0061.44.04	3 POW-LED		yellow	total 5 W	CC 350 mA		<40°C	30° medium	UW, 2x1,5 qmm	
4.0061.14.05	4.0061.24.05	4.0061.44.05	3 POW-LED		red	total 5 W	CC 350 mA		<40°C	30° medium	UW, 2x1,5 qmm	
4.0061.14.06	4.0061.24.06	4.0061.44.06	3 POW-LED		blue	total 5 W	CC 350 mA		<40°C	30° medium	UW, 2x1,5 qmm	
4.0061.14.07	4.0061.24.07	4.0061.44.07	3 POW-LED		green	total 5 W	CC 350 mA		<40°C	30° medium	UW, 2x1,5 qmm	
4.0061.14.09	4.0061.24.09	4.0061.44.09	3 POW-LED		RGB	all on 5 W	CC 350 mA		<40°C	30° medium	Si, 3x1,5 qmm	
HALOGEN												
4.0061.14.20	4.0061.24.20	4.0061.44.20	QR-CBC51	210	3000K	20W	12V-AC	GU5,3	80°C	36°	Si, 2x1,5 qmm	C22
4.0061.14.35	4.0061.24.35	4.0061.44.35	QR-CBC51	430	3000K	35W	12V-AC	GU5,3	90°C	36°	Si, 2x1,5 qmm	C33
4.0061.14.50	4.0061.24.50	4.0061.44.50	QR-CBC51	680	3000K	50W	12V-AC	GU5,3	105°C	36°	Si, 2x2,5 qmm	C43
4.0061.14.51	4.0061.24.51	4.0061.44.51	QPAR16			35W	230V	GU10	90°C	35°	Si, 3x1,5 qmm	G11



4.0061 | RECESSED SPOTLIGHT

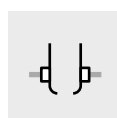
FOR LIGHTING AND ACCENTUATING EXTERIOR, FAÇADES, BUILDINGS, TREES AND PUBLIC SPACES.

IP67
ALU
STAINLESS STEEL V4A
1.4571
316Ti
POW-LED INCL.
3.000 K
4.500 K
6.000 K
COLOR
RGB
CONSTANT CURRENT
KONSTANT STROM
1.5t
↑
↺
↻
↻
CE
III

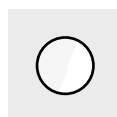


- Protection system IP67
- made of aluminium
- cover made of stainless steel 316Ti
- Flush-mounted, round and square cover, height 5 mm
- with multi-axial cardan technology
- 360° pivotable et +/-15° adjustable
- ...
- POW-LED cold white, warm white, neutral white
- POW-LED colored
- POW-LED RGB
- operating mode: constant current
- low voltage halogen QR-CB51 ES 12 V-AC
- High voltage QPAR16
- Light output through multi-cardan pivotable light source unit can be flexibly adjusted
- ...
- Temperature-resistant silicon seal
- Toughened safety glass (ESG) – withstands loads of up to 1500 kg
- Cable gland PG11, nickel-plated brass
- Supplied with light source and cable (3 m) already connected

+ ADDITIONAL PARTS



double cable gland
PG11, brass
4.0004.00.11



glass disc, frosted
for softer light distribution (light loss approx. -15%)
4.0060.01.00



Installation housing out of aluminium
for flush cover, height 130 mm
4.0061.04.95



Installation housing out of aluminium
for circular and squared cover, height 130 mm
4.0061.14.95

! NOTE



Updated version available: 4.0071 – Page 170



POW-LED, series-connected



In case of use of an housing, cable gland must be mounted on the ground. (Please state!)

⚙️ OPTIONS

Possible beam angle POW-LED



Possible beam angle HALOGENE



Aluminium installation housing available



Special brass covers



Coloured QR-CB51 light sources



Version without cardan

Power supplies Technical details see from page 234.

5.0635.65.03		5.0635.65.10		5.0635.65.20
5.0635.65.03		5.0635.65.10		5.0635.65.20
5.0635.65.03	Constant Current power supply, max 1 spotlights	5.0635.65.10	Constant Current power supply, max 2 spotlights	5.0635.65.20
5.0635.65.03		5.0635.65.10		5.0635.65.20
5.0635.65.03		5.0635.65.10		5.0635.65.20
5.0635.65.03		5.0635.65.10		5.0635.65.20
5.0635.65.03		5.0635.65.10		5.0635.65.20
5.0635.09.16	RGB-Controller, max 4 spotlights			

5.0098.00.00	Transformer, max 2	5.0100.00.00	Transformer, max 4 spotlights
5.0098.00.00	Transformer, max 1 spotlights	5.0100.00.00	Transformer, max 2 spotlights
5.0098.00.00	Transformer, max 1 spotlights	5.0100.00.00	Transformer, max 2 spotlights

Integrated