



## RECESSED SPOTLIGHT 4.0011

EXTERIOR

IP67



- › Miniature spotlight for effect illumination
- › Very low energy consumption
- › Simple installation using installation sleeve provided





# 4.0011 | 4.0010 | RECESSED SPOTLIGHT

FOR ILLUMINATION AND ORIENTATION FOR FACADES, TERRACE, WAYS AND GARDENS.

IP67	STAINLESS STEEL V4A 1.4571 316Ti	ALU	POW-LED INCL.	3.000 K 4.500 K 6.000 K COLOR	CONSTANT CURRENT KONSTANT STROM	DALI 1-10 V OPTIONAL DIMM	650kg	↑	↻	⌋	⌋	CABLE INCL.	CE	III
------	--	-----	---------------	--	------------------------------------	------------------------------	-------	---	---	---	---	-------------	----	-----



- Protection system IP67
- cover made of stainless steel 316Ti
- Housing made of anodised aluminium
- Flush-mounted cover, round or square cover
- Toughened safety glass (ESG) – withstands loads of up to 650 kg
- ...
- POW-LED cold white, warm white, neutral white
- POW-LED colored
- operating mode: constant current
- ...
- For floor and wall installation with aluminium installation sleeve
- Supplied with installation sleeve and 3 m of connecting cable

## ★ PRODUCT LINE



**4.0012**  
Recessed spotlights  
(underwater)  
> Page 92



**4.0011.15**  
Surface spotlights  
> Page 118



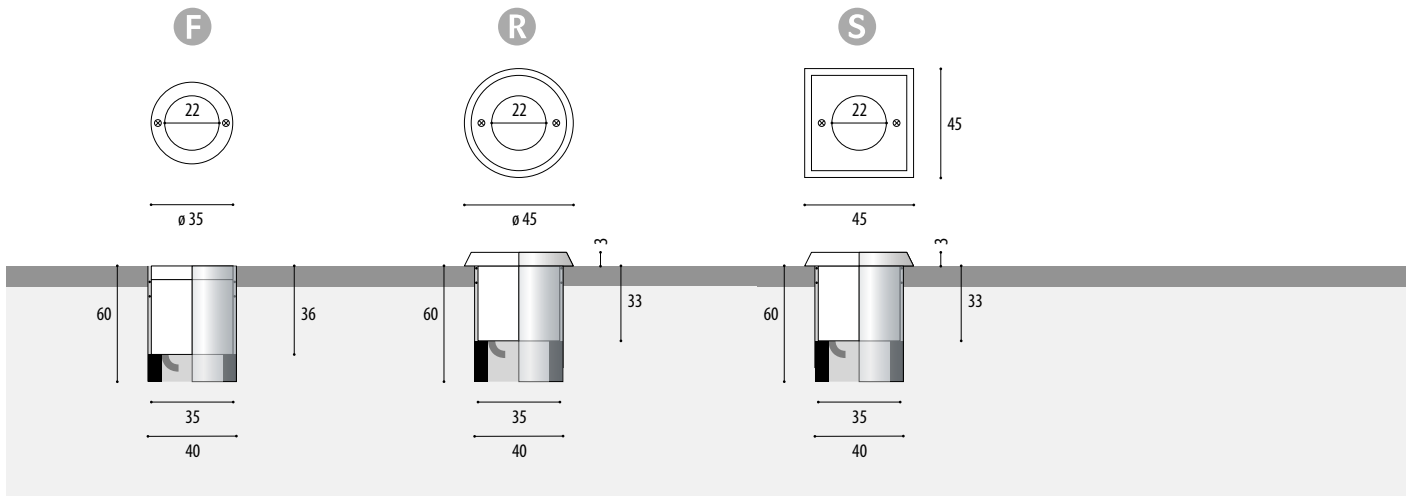
# RECESSED SPOTLIGHT 4.0011

EXTERIOR

IP67



Installation sleeve



F	R	S	Lamps	Lumen	Light colour	Wattage	Current	Temperature	Radation angle	Cable, installs	[V]
RADATION ANGLE 10°(SPOT)											
4.0011.10.01	4.0011.20.01	4.0011.40.01	1 POW-LED	165 lm	6000K cold white	total 2 W	CC 350 mA	<40°C	10° spot	UW, 2x0,5 qmm	V12
4.0011.10.02	4.0011.20.02	4.0011.40.02	1 POW-LED	135 lm	3000K warm white	total 2 W	CC 350 mA	<40°C	10° spot	UW, 2x0,5 qmm	
4.0011.10.03	4.0011.20.03	4.0011.40.03	1 POW-LED	155 lm	4500K neutral white	total 2 W	CC 350 mA	<40°C	10° spot	UW, 2x0,5 qmm	
4.0011.10.04	4.0011.20.04	4.0011.40.04	1 POW-LED		yellow	total 2 W	CC 350 mA	<40°C	10° spot	UW, 2x0,5 qmm	
4.0011.10.05	4.0011.20.05	4.0011.40.05	1 POW-LED		red	total 2 W	CC 350 mA	<40°C	10° spot	UW, 2x0,5 qmm	
4.0011.10.06	4.0011.20.06	4.0011.40.06	1 POW-LED		blue	total 2 W	CC 350 mA	<40°C	10° spot	UW, 2x0,5 qmm	
4.0011.10.07	4.0011.20.07	4.0011.40.07	1 POW-LED		green	total 2 W	CC 350 mA	<40°C	10° spot	UW, 2x0,5 qmm	
RADATION ANGLE HOMOGEN DIFFUS											
4.0010.10.01	4.0010.20.01	4.0010.40.01	1 POW-LED	165 lm	6000K cold white	total 2 W	CC 350 mA	<40°C	homogen diffus	UW, 2x0,5 qmm	
4.0010.10.02	4.0010.20.02	4.0010.40.02	1 POW-LED	135 lm	3000K warm white	total 2 W	CC 350 mA	<40°C	homogen diffus	UW, 2x0,5 qmm	
4.0010.10.03	4.0010.20.03	4.0010.40.03	1 POW-LED	155 lm	4500K neutral white	total 2 W	CC 350 mA	<40°C	homogen diffus	UW, 2x0,5 qmm	
4.0010.10.04	4.0010.20.04	4.0010.40.04	1 POW-LED		yellow	total 2 W	CC 350 mA	<40°C	homogen diffus	UW, 2x0,5 qmm	
4.0010.10.05	4.0010.20.05	4.0010.40.05	1 POW-LED		red	total 2 W	CC 350 mA	<40°C	homogen diffus	UW, 2x0,5 qmm	
4.0010.10.06	4.0010.20.06	4.0010.40.06	1 POW-LED		blue	total 2 W	CC 350 mA	<40°C	homogen diffus	UW, 2x0,5 qmm	
4.0010.10.07	4.0010.20.07	4.0010.40.07	1 POW-LED		green	total 2 W	CC 350 mA	<40°C	homogen diffus	UW, 2x0,5 qmm	

